

*The Medical Partner for a Better Future!!*

# WORLD BIO TECH

## ORTHODONTIC PRODUCT



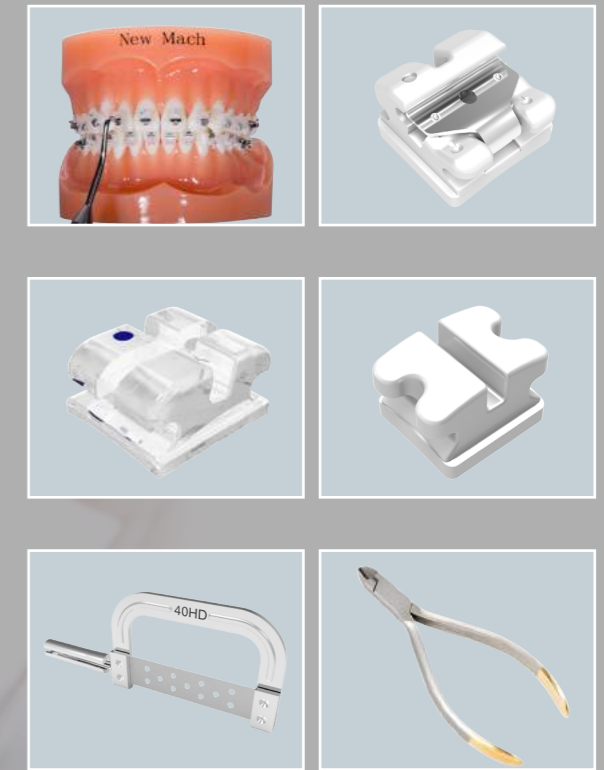
**World Bio Tech Co., Ltd.**

# 612, 560, Duncho-daero, Jungwon-Gu, Seongnam-si,  
Gyeonggi-Do, KOREA (13230)

Tel. +82-2-318-2804~5 Fax. +82-2-318-2823 E-mail. koala@wbtkorea.com  
www.wbtkorea.com



(주)월드바이오텍



# Contents

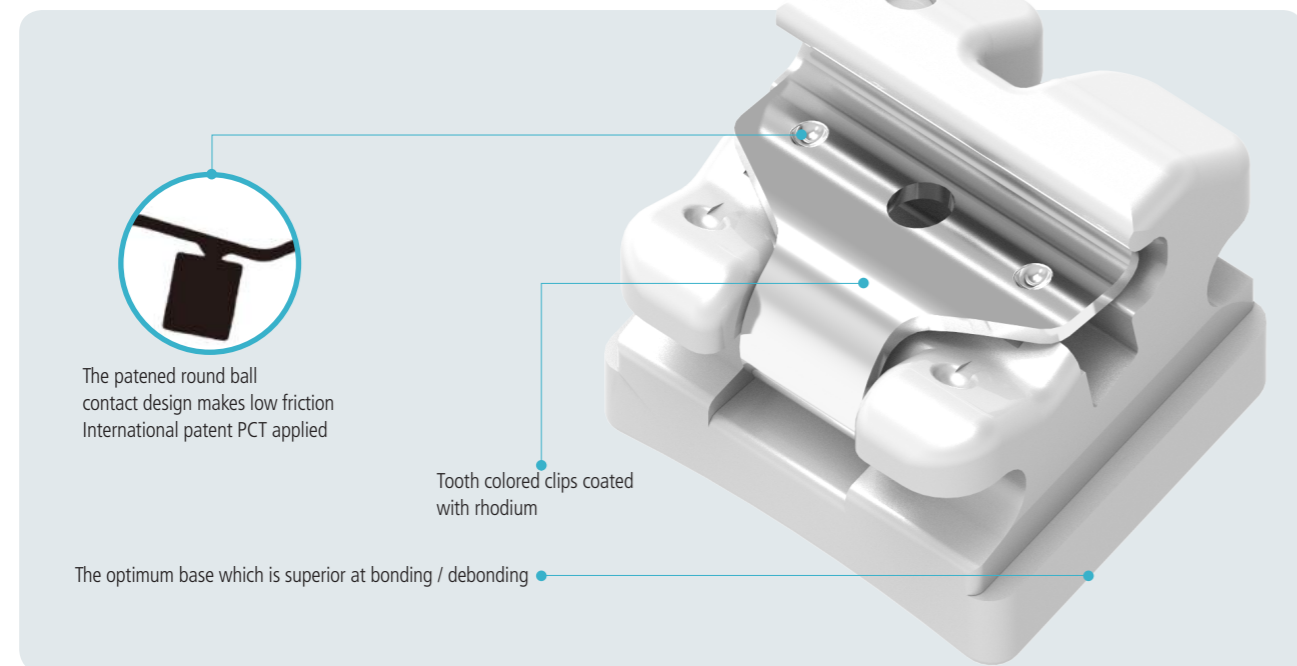
Self Ligation Ceramic Bracket	04
Monocrystalline Sapphire ceramic Bracket	06
Low Torque Sapphire Bracket	07
Polycrystalline Ceramic Bracket	08
Polycrystalline Metal Slot Ceramic Bracket	09
Multi Buttons	10
Metal Bracket	11
Buccal Tubes	12
Attachments	13
Rhodium Coated Arch Wires & Arch Wires	14
Orthodontic Mini Screw	15
O-Ring	16
Automatic Strips & Clear Splint	17
WBT™ Instruments	18



Confirmation of venture companies    ISO13485    CE    GMP    Certificate of patent

# Self Ligation Ceramic Bracket

## MACH

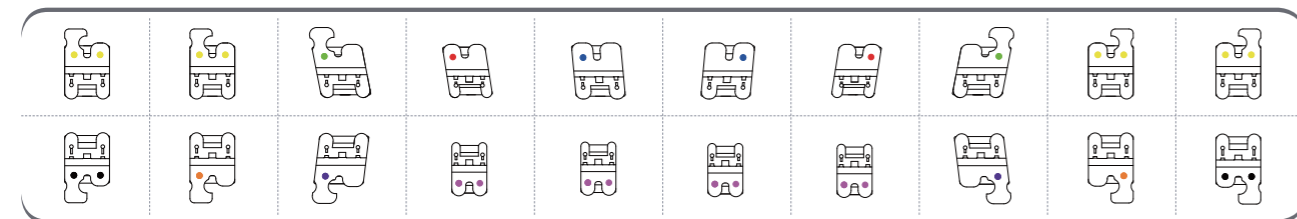


### About MACH

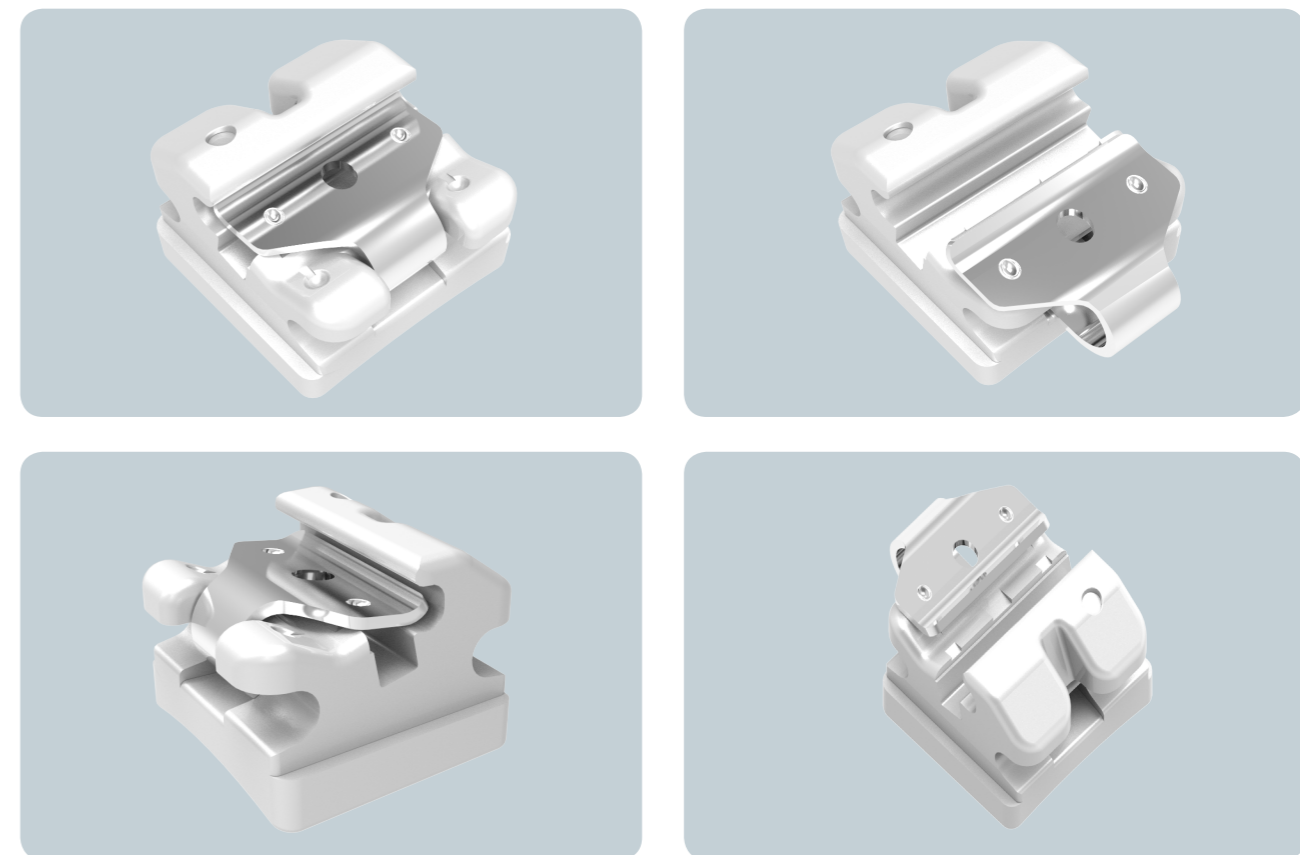
- By applying the RBC(Round Ball Contact) engineering method on the specialized clip for the first time in the world was ble to minimize contact with the wire, which in turn produces the best sliding effect.
- By strengthening durability, remarkably was improved ceramic fracture.
- Optimal bonding strength and easily debonding.
- The height, lowered by a low profile, reduced foreign body sensation.
- Emphasized patient's overall comfort via body rounding.
- Translucent material use enabled the bracket's superb aesthetics.



### WBT Marking System



- How to use the opener : Put the opener in the hole of clip and place the opener in a straight line to the tooth root. And then open the clip.



### ROTH .022

	Tooth	Torque	Ang	M/D Width	Part No.	
Maxillary	Central	12°	5°	3.5mm	ESB-R22-11	ESB-R22-21
	Lateral	8°	9°	3.0mm	ESB-R22-12	ESB-R22-22
	Cuspid with Hook	-2°	11°	3.5mm	ESB-R22-13H	ESB-R22-23H
	1st Bicuspid with Hook	-7°	0°	3.2mm	ESB-R22-14H	ESB-R22-24H
	2nd Bicuspid with Hook	-7°	0°	3.2mm	ESB-R22-15H	ESB-R22-25H
Mandibular	Anterior	0°	0°	2.5mm	ESB-R22-41	ESB-R22-31
	Cuspid with Hook	-11°	7°	3.5mm	ESB-R22-43H	ESB-R22-33H
	1st Bicuspid with Hook	-17°	0°	3.2mm	ESB-R22-44H	ESB-R22-34H
	2nd Bicuspid with Hook	-22°	0°	3.2mm	ESB-R22-45H	ESB-R22-35H

### MBT .022

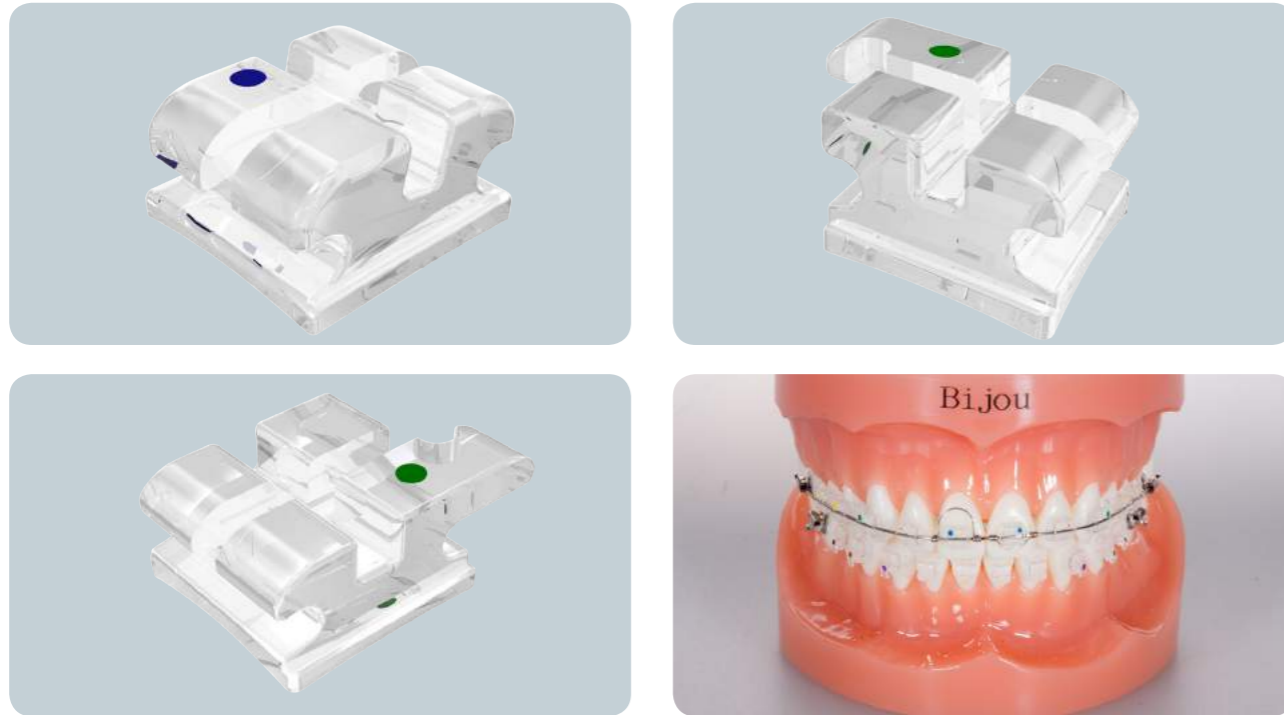
	Tooth	Torque	Ang	M/D Width	Part No.	
Maxillary	Central	17°	4°	3.5mm	ESB-M22-11	ESB-R22-21
	Lateral	10°	8°	3.0mm	ESB-M22-12	ESB-M22-22
	Cuspid with Hook	0°	8°	3.5mm	ESB-M22-13H	ESB-R22-23H
	1st Bicuspid with Hook	-7°	0°	3.2mm	ESB-M22-14H	ESB-M22-24H
	2nd Bicuspid with Hook	-7°	0°	3.2mm	ESB-M22-15H	ESB-R22-25H
Mandibular	Anterior	-6°	0°	2.5mm	ESB-M22-41	ESB-M22-31
	Cuspid with Hook	0°	3°	3.5mm	ESB-R22-43H	ESB-M22-33H
	1st Bicuspid with Hook	-12°	2°	3.2mm	ESB-M22-44H	ESB-M22-34H
	2nd Bicuspid with Hook	-17°	2°	3.2mm	ESB-M22-45H	ESB-M22-35H

### MACH Systems

Packages	ROTH.022	MBT.022
Upper/Lower 3-3	ESB-R22-300	ESB-M22-300
Upper/Lower 5-5	ESB-R22-500	ESB-M22-500

# Monocrystalline Sapphire Ceramic Bracket

## BIJOU



### About BIJOU

- The Most Perfect Mono Crystalline Sapphire Ceramic Bracket
- Easy and accurate bracket positioning
  - The world's first monocrystalline bracket that applies the step (Patent applied)
- Less Irritation
  - Ultra smooth and rounded edge bracket
- Low Profile
- Plasma silica coating on slot and full body
  - Superior sliding & minimize fracture.
- Half Base Coating (70% area coated in the base)
  - Superior retention and easy debonding characteristics.

### ROTH .018/.022

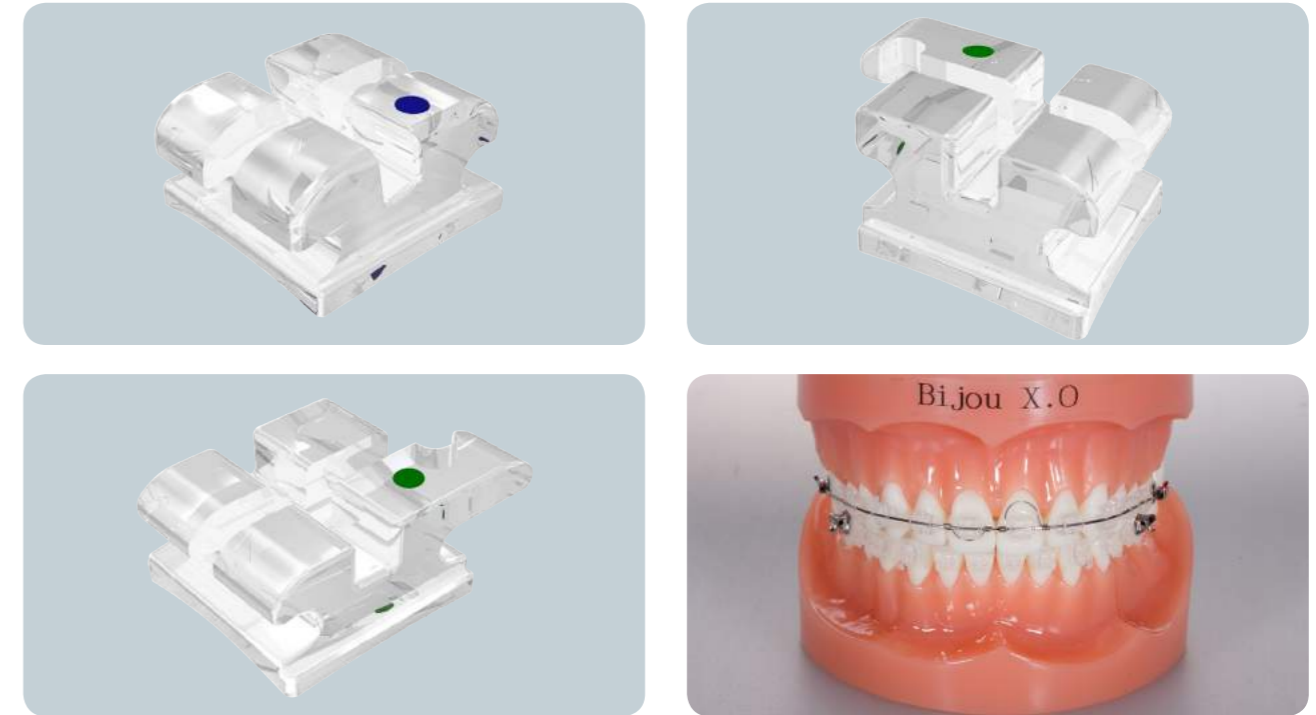
	Tooth	Torque	Ang
Maxillary	Central	12°	5°
	Lateral	8°	9°
	Cuspid with Hook	-2°	11°
	1st Bicuspid with Hook	-7°	0°
Mandibular	2nd Bicuspid with Hook	-7°	0°
	Anterior	0°	0°
	Cuspid with Hook	-11°	7°
	1st Bicuspid with Hook	-17°	0°
	2nd Bicuspid with Hook	-22°	0°

### MBT .018/.022

	Tooth	Torque	Ang
Maxillary	Central	17°	4°
	Lateral	10°	8°
	Cuspid with Hook	0°	8°
	1st Bicuspid with Hook	-7°	0°
	2nd Bicuspid with Hook	-7°	0°
Mandibular	Anterior	-6°	0°
	Cuspid with Hook	0°	3°
	1st Bicuspid with Hook	-12°	2°
	2nd Bicuspid with Hook	-17°	2°

# Low Torque Sapphire Bracket

## BIJOU X · 0



### About BIJOU X · 0

- The Most Perfect Mono Crystalline Sapphire Ceramic Bracket Easy and accurate bracket positioning
  - The world's first monocrystalline bracket that applies the step (Patent applied)
- Less Irritation
  - Ultra smooth and rounded edge bracket
- Low Profile
- Plasma silica coating on slot and full body
  - Superior sliding & minimize fracture.
- Half Base Coating (70% area coated in the base)
  - Superior retention and easy debonding characteristics.

### X · 0 .018/.022

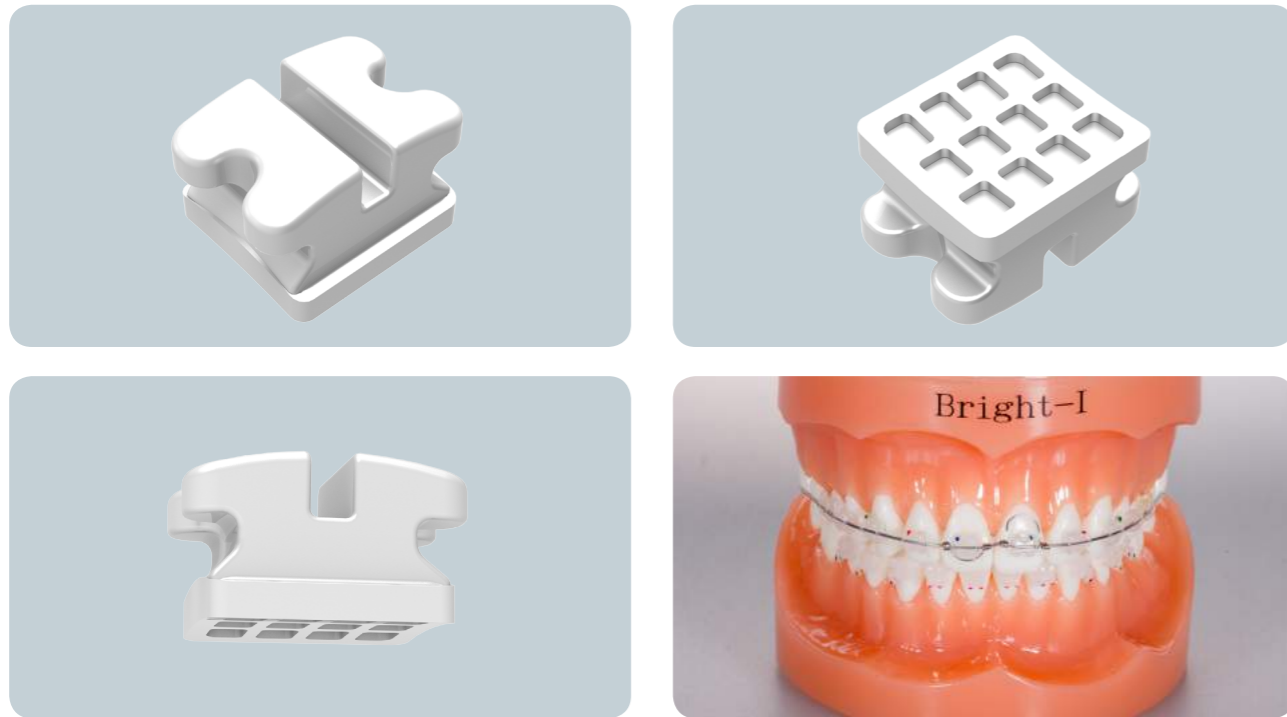
	Tooth	Torque	Ang
Maxillary	Central	7°	5°
	Lateral	3°	8°
	Cuspid with Hook	-3°	7°
	1st Bicuspid	-7°	0°
Mandibular	2nd Bicuspid	-7°	0°
	Anterior	-6°	0°
	Cuspid with Hook	-3°	7°
	1st Bicuspid	-12°	0°
	2nd Bicuspid	-17°	0°

### FULL SETS

Packages	ROTH .018	ROTH .022	MBT.018	MBT.022	X · 0 .018	X · 0 .022
Upper/Lower 3-3	BJB-R18-300	BJB-R22-300	BJB-M18-300	BJB-M22-300	BJB-XO18-300	BJB-XO22-300
Upper/Lower 5-5	BJB-R18-500	BJB-R22-500	BJB-M18-500	BJB-M22-500	BJB-XO18-500	BJB-XO22-500

# Polycrystalline Ceramic Bracket

## BRIGHT-I



### About Bright-I

- Smooth round surface for enhanced patient comfort.
- Excellent translucent for pleasing aesthetics.
- Perfectly mechanical lock base brackets are proven to be easily removed without enamel fracture or damage.

## ROTH .018/.022

	Tooth	Torque	Ang
Maxillary	Central	12°	5°
	Lateral	8°	9°
	Cuspid with Hook	-2°	13°
	1st Bicuspid with Hook	-7°	0°
	2nd Bicuspid with Hook	-7°	0°
Mandibular	Anterior	-1°	0°
	Cuspid with Hook	-11°	7°
	1st Bicuspid with Hook	-17°	0°
	2nd Bicuspid with Hook	-22°	0°

## MBT .022

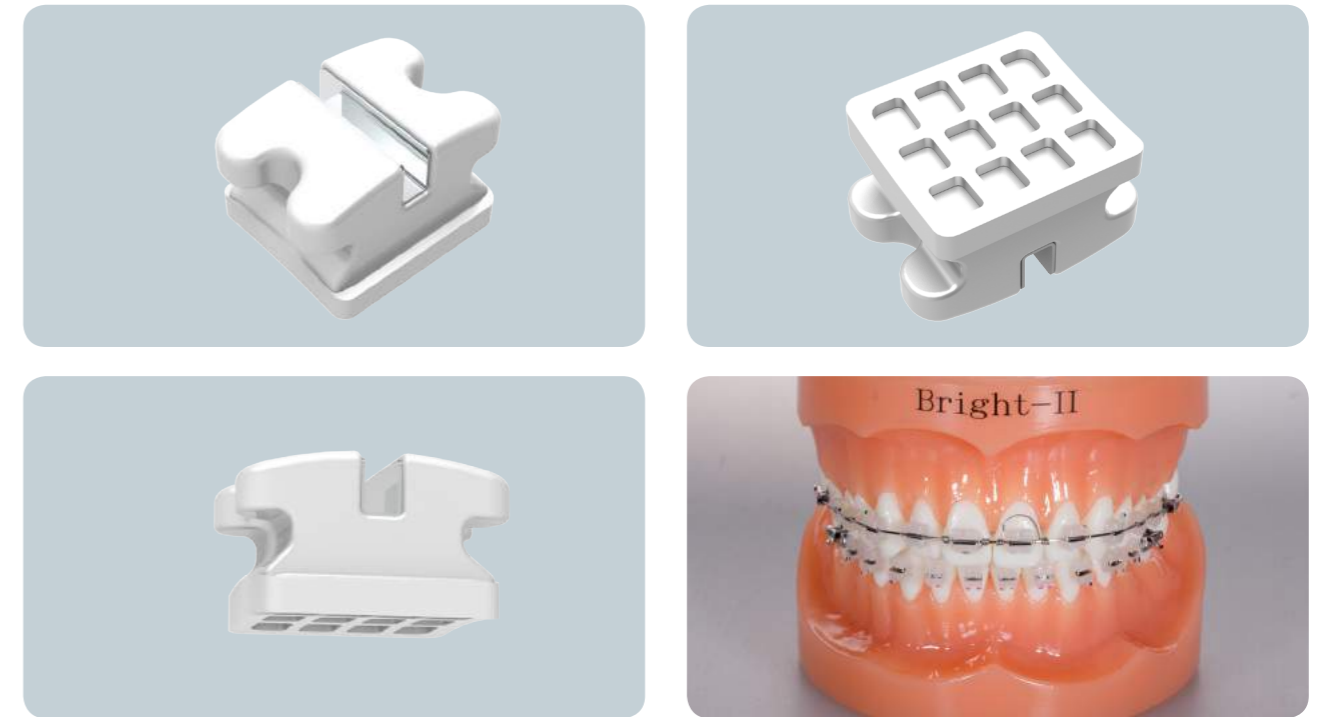
	Tooth	Torque	Ang
Maxillary	Central	17°	4°
	Lateral	10°	8°
	Cuspid with Hook	0°	8°
	1st Bicuspid with Hook	-7°	0°
	2nd Bicuspid with Hook	-7°	0°
Mandibular	Anterior	-6°	0°
	Cuspid with Hook	0°	3°
	1st Bicuspid with Hook	-12°	2°
	2nd Bicuspid with Hook	-17°	2°

## FULL SETS

Packages	ROTH .018	ROTH .022	MBT .022
Upper/Lower 3-3	B1-R18-300	B1-R22-300	B1-M22-300
Upper/Lower 5-5	B1-R18-500	B1-R22-500	B1-M22-500

# Polycrystalline Metal Slot Ceramic Bracket

## BRIGHT-II



### About Bright-II

- Reduce the friction through the metal slot brackets
- Highest transparency
- Mechanical Lock Base
- Easy to remove

## ROTH .018/.022

	Tooth	Torque	Ang
Maxillary	Central	7°	5°
	Lateral	3°	8°
	Cuspid with Hook	-3°	7°
	1st Bicuspid with Hook	-7°	0°
	2nd Bicuspid with Hook	-7°	0°
Mandibular	Anterior	-6°	0°
	Cuspid with Hook	-3°	7°
	1st Bicuspid with Hook	-12°	0°
	2nd Bicuspid with Hook	-17°	0°

## MBT .022

	Tooth	Torque	Ang
Maxillary	Central	17°	4°
	Lateral	10°	8°
	Cuspid with Hook	0°	8°
	1st Bicuspid with Hook	-7°	0°
	2nd Bicuspid with Hook	-7°	0°
Mandibular	Anterior	-6°	0°
	Cuspid with Hook	0°	3°
	1st Bicuspid with Hook	-12°	2°
	2nd Bicuspid with Hook	-17°	2°

## FULL SETS

Packages	ROTH .018	ROTH .022	MBT .022
Upper/Lower 3-3	B2-R18-300	B2-R22-300	B2-M22-300
Upper/Lower 5-5	B2-R18-500	B2-R22-500	B2-M22-500

# Multi Buttons

## Easy Multi Buttons



- Patented product created by WBT technology.
- The patented base created a central groove and numerous holes, which maximized bonding force.
- Created a hole in the patented neck area, where wires 012~018 can be inserted.
- Considering the surgeon's convenience developed and applied the edge head, which made easily catching via pliers during surgeries.

## MTM (Minor Tooth Movement)



## Multi Button Systems

Part No	Belt Type	Circle Type
	EMB-B100	EMB-C100

# Metal Brackets

## Metal Bracket



- Ultra Low Profile
- Mini Body Size
- Highest precision of slots
- Rounded under edges of Tie-wings

## ROTH .018/.022

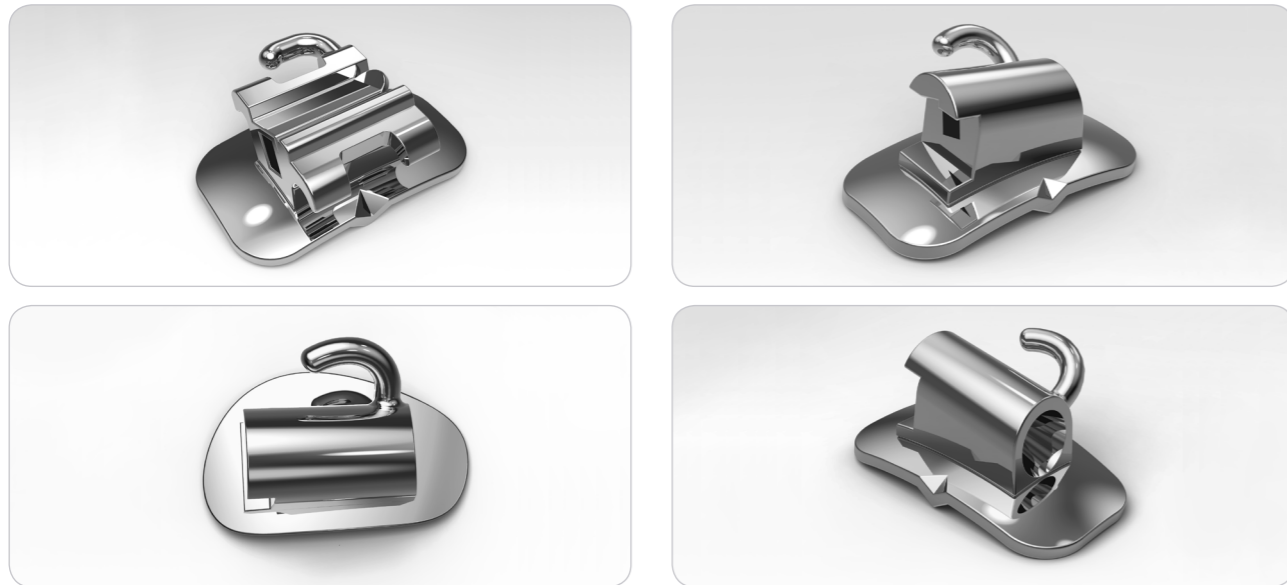
	Tooth		Torque	Ang
	R	L		
Maxillary	Central		12°	5°
	Lateral	R	8°	9°
		L		
	Cuspid with Hook	R	-2°	13°
Mandibular	1st Bicuspid	R	-7°	0°
	2nd Bicuspid	R	-7°	0°
		L		
	Anterior	L	-1°	0°
Mandibular	Cuspid with Hook	R	-11°	7°
	1st Bicuspid	R	-17°	0°
		L		
	2nd Bicuspid	R	-22°	0°

## MBT .018/.022

	Tooth		Torque	Ang
	R	L		
Maxillary	Central		17°	4°
	Lateral	R	10°	8°
		L		
	Cuspid with Hook	R	0°	8°
Mandibular	1st Bicuspid	R	-7°	0°
	2nd Bicuspid	R	-7°	0°
		L		
	Anterior	S	-6°	0°
Mandibular	Cuspid with Hook	R	0°	3°
	1st Bicuspid	R	-12°	2°
		L		
	2nd Bicuspid	R	-17°	2°

# Buccal Tubes

## Mini Buccal Tubes



### Roth .022

	Tooth	Torque	Offset
Maxillary	1st Molars	-14°	10°
	2nd Molars	-14°	10°
Mandibular	1st Molars	-25°	4°
	2nd Molars	-25°	4°

- Ultra Low Profile & Mini Body Size
- Smooth surface finish
- Funneled entrance helps guide wire into the buccal tube

## L . P Buccal Tubes



- Smooth Hook surface
- Funneled entrance helps guide wire into the buccal tube

### Roth .022

	Tooth	Torque	Offset
Maxillary	1st Molars	-14°	10°
	2nd Molars	-14°	10°
Mandibular	1st Molars	-25°	4°
	2nd Molars	-25°	4°

### MBT .022

	Tooth	Torque	Offset
Maxillary	1st Molars	-14°	10°
	2nd Molars	-14°	10°
Mandibular	1st Molars	-20°	0°
	2nd Molars	-10°	0°

# Attachments

## Attachments



Ni-Ti Closed Coil Spring (6,9,12mm)

Torquing Spring S,M,L(016 x 022, 019 x 025)

### Ni-Ti Close Coil Spring

Part No.	9102-206	9102-209	9102-212
Size	6mm (Heavy Force)	9mm (Medium Force)	12mm (Light Force)

### Torquing Spring

S.S Arch Wire Size	Gingival	Occlusal	Anterior
016 x 022	L	M	S
019 x 025	L	M	S



Surgical Hook (Open)

Surgical Hook (closed)

Surgical Hook 4mm(Ball Type, T Type)

Surgical Hook 2.7mm(Ball Type, T Type)

Crimpable Long Hook (Right, Left)

2D Bracket

DBS Button With Hook (Right, Left)

Crimpable Stop

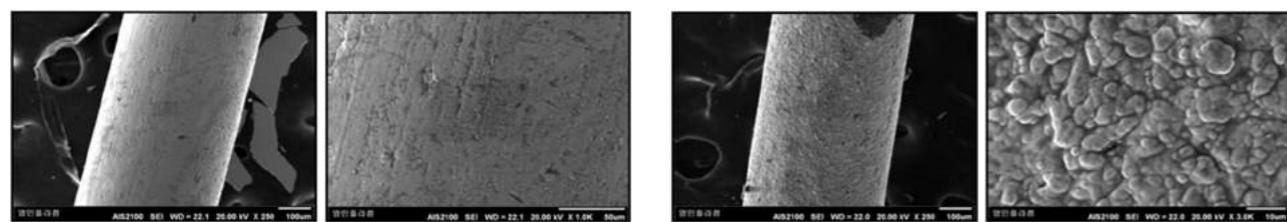
Lingual Sheath

Welding Metal Button

DBS Metal Button

# Rhodium coated arch wires & Arch wires

## Invariable Rhodium Coated Arch Wires



Inside

Outside

- The specially rhodium laminated invariable coated archwire has no worries about the bristle peeling anything off or the pigmentation by food during the period of treatment and is therefore superior in terms of aesthetic beauty.
- Minimized the change of wire size after lamination.
- Effectively reduced the friction coefficient of the surface and thus improved sliding.
- The coating is maintained for a long time

## Arch Wires



S.S Arch Wire / Ni-Ti Arch Wire / Copper Ni-Ti Arch Wire

Reverse Curve Ni-Ti Arch Wire

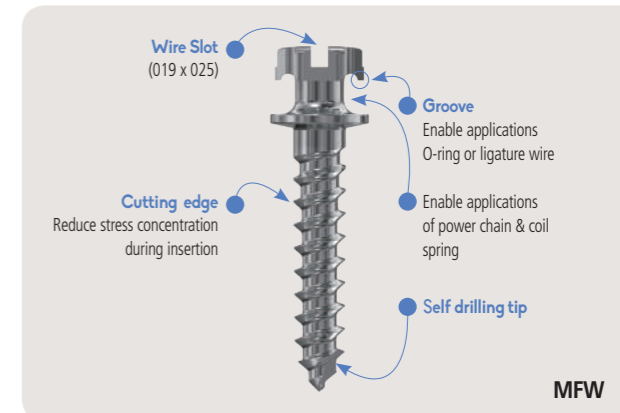


## Arch Wire Systems

SIZE	S.S Arch Wire		Ni-Ti Arch Wire		Copper Ni-Ti Arch Wire		Reverse Curve Ni-Ti Arch Wire	
	UPPER	LOWER	UPPER	LOWER	UPPER	LOWER	UPPER	LOWER
.012			200-U12	200-L12	300-U12	300-L12		
.014	100-U14	100-L14	200-U14	200-L14	300-U14	300-L14	400-U14	400-L14
.016	100-U16	100-L16	200-U16	200-L16	300-U16	300-L16	400-U16	400-L16
.018	100-U18	100-L18	200-U18	200-L18	300-U18	300-L18	400-U18	400-L18
.020	100-U20	100-L20	200-U20	200-L20	300-U20	300-L20	400-U20	400-L20
.016 x .022	100-U1622	100-L1622	200-U1622	200-L1622	300-U1622	300-L1622	400-U1622	400-L1622
.017 x .025	100-U1725	100-L1725	200-U1725	200-L1725	300-U1725	300-L1725	400-U1725	400-L1725
.018 x .025	100-U1825	100-L1825	200-U1825	200-L1825	300-U1825	300-L1825	400-U1825	400-L1825
.019 x .025	100-U1925	100-L1925	200-U1925	200-L1925	300-U1925	300-L1925	400-U1925	400-L1925
.021 x .025	100-U2125	100-L2125	200-U2125	200-L2125	300-U2125	300-L2125	400-U2125	400-L2125

# Orthodontic Mini Screw

## Mini Implant



## Fixcrew

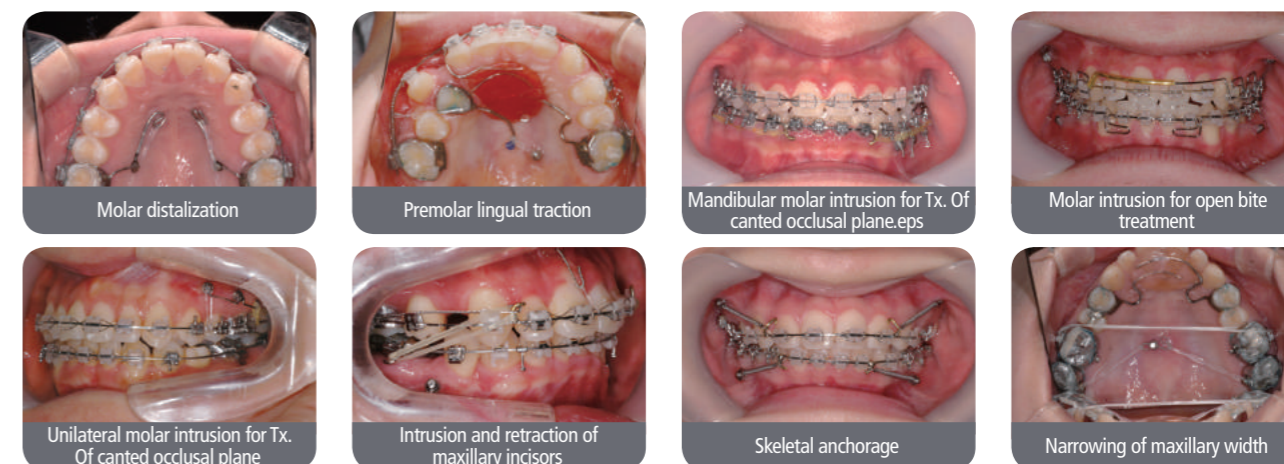
Diameter	Length	Code
1.4mm	6mm	MFU1406
	8mm	MFU1408
	10mm	MFU1410
1.6mm	6mm	MFU1606
	8mm	MFU1608
	10mm	MFU1610
1.8mm	6mm	MFU1806
	8mm	MFU1808
	10mm	MFU1810

Diameter	Length	Code
1.4mm	6mm	MFW1406
	8mm	MFW1408
	10mm	MFW1410
1.6mm	6mm	MFW1606
	8mm	MFW1608
	10mm	MFW1610
1.8mm	6mm	MFW1806
	8mm	MFW1808
	10mm	MFW1810

## Instruments



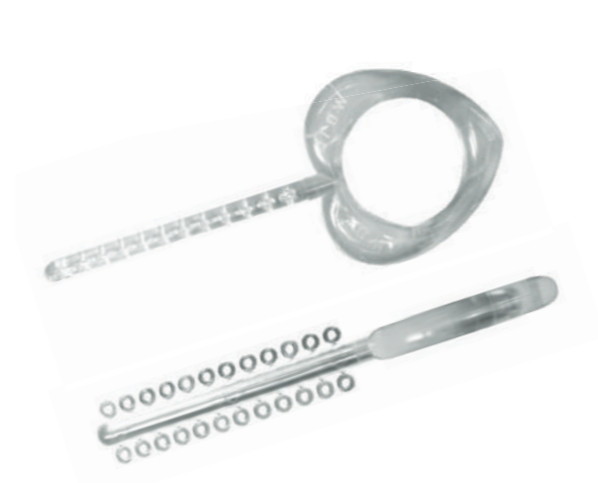
## Clinical data





# O-Ring

## Heart Shape Ring



### About O-Ring

- Unlike other product, it has a heart-shaped ring that rotates 90 degrees, which make it easier for the doctors to apply.
- The product is an ideal slim type and is easy to ligature on the wing.
- Minimum bleaching by saliva or food allows superior aesthetics.
- Increased the elastic force, retentivity is superior while the ligation.

Part No.	EOR-H100
----------	----------

# Automatic Strips & Clear Splint

## Automatic Strips

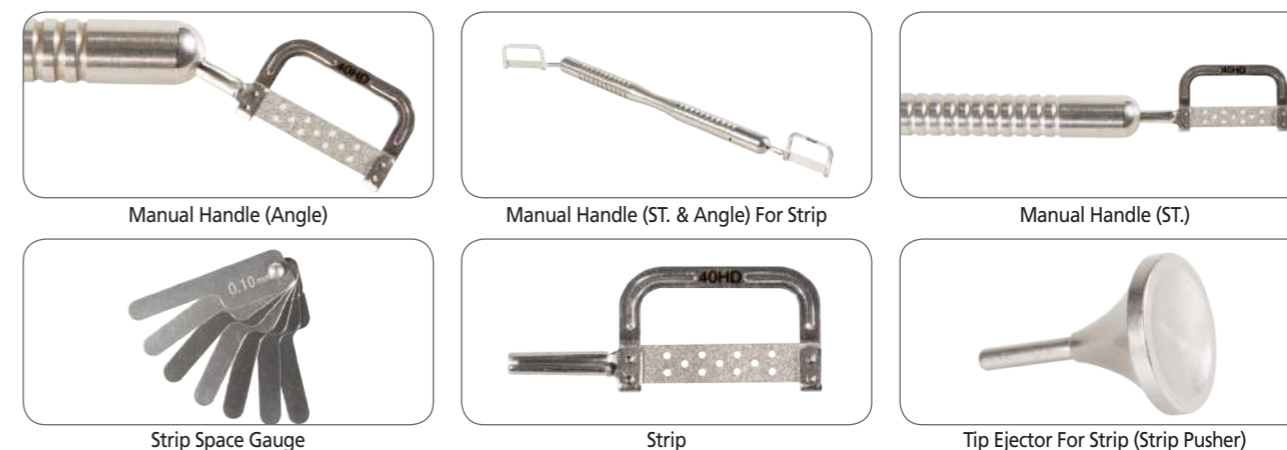
Fit to the strip handpiece perfectly lead to accurate stripping

Easy to recognize the size, Laser marked on the frame Ex.) 40HD  
40-40 micron  
H - Hole Type  
D - Double

Durable and high abrasion resistance blade

Apply the 4 punching on the frame for fixing the blade strongly

Hand Piece



### Shape and Structure – size

Double Size		Hole Type		
		Single Right Size		Single Left Size
● 15μm 15HD		● 15μm 15HR		● 15μm 15HL
○ 25μm 25HD		○ 25μm 25HR		○ 25μm 25HL
● 40μm 40HD		● 40μm 40HR		● 40μm 40HL
● 60μm 60HD		● 60μm 60HR		● 60μm 60HL
● 90μm 90HD		● 90μm 90HR		● 90μm 90HL

## Clear Splint



- Accurate interproximal stripping
- Used with a strip-handpiece
- Safe and comfortable treatment
- Various size & type available

### 1. Clear Splint Square Type

Type	Thickness		Size	Pcs/Box
	Inch	mm		
Clear Splint 020	0.020	0.5	127 x 127mm	40
Clear Splint 025	0.025	0.625	127 x 127mm	30
Clear Splint 030	0.030	0.75	127 x 127mm	30
Clear Splint 040	0.040	1.0	127 x 127mm	25
Clear Splint 060	0.060	1.5	127 x 127mm	15
Clear Splint 080	0.080	2.0	127 x 127mm	12
Clear Splint 100	0.100	2.5	127 x 127mm	10
Clear Splint 120	0.120	3.0	127 x 127mm	7

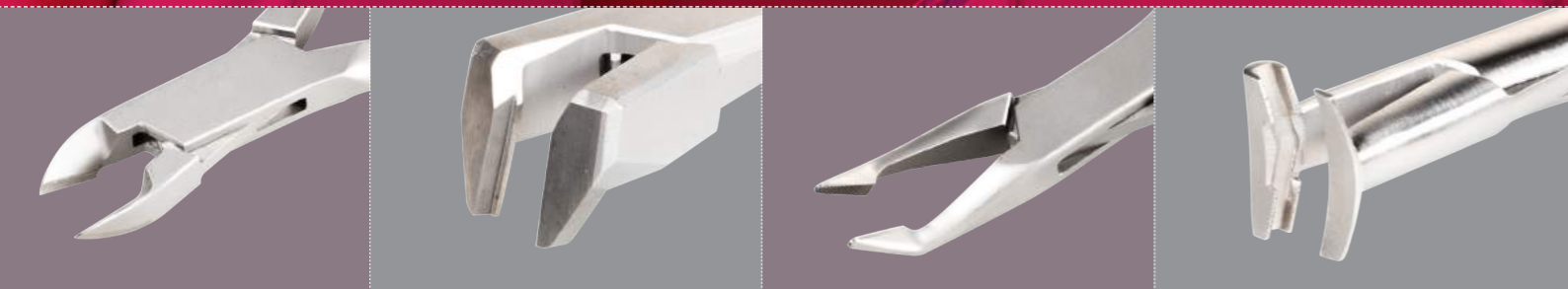
### 2. Clear Splint Circle Type

Type	Thickness		Size	Pcs/Box
	Inch	mm		
Clear Splint 020	0.020	0.5	∅125	40
Clear Splint 025	0.025	0.625	∅125	30
Clear Splint 030	0.030	0.75	∅125	30
Clear Splint 040	0.040	1.0	∅125	25
Clear Splint 060	0.060	1.5	∅125	15
Clear Splint 080	0.080	2.0	∅125	12
Clear Splint 100	0.100	2.5	∅125	10
Clear Splint 120	0.120	3.0	∅125	7



# Instruments

Exquisitely crafted



Cutters	23
Utility Pliers	24
Wire Bending Pliers	25
Removing Pliers	29
Other Pliers	30

## Cutters



### P-100T

Ligature Cutter  
Max. .015"

- 15° offset Tip
- Tungsten Carbide insert
- Designed to cut ligature wires and rubbers.



### P-101T

Mini Ligature Cutter  
Max. .015"

- 7° offset Tip
- Tungsten Carbide insert
- Designed to cut ligature wires and rubbers.



### P-102T

Distal End Cutter, TC  
Max. .021" x .025"

- Designed to cut wires close to the buccal tube and safely holds the distal end.



### P-104T

Flush Distal End Cutter, TC  
Max. .021" x .025"

- 15° offset Tip
- Tungsten Carbide insert

## Utility Pliers



### P-105T

Slim Weingart Utility Plier, TC

- Slim and versatile utility pliers Tungsten Carbide insert



### P-106T

Weingart Utility Plier, TC

- Same as P-105T Tungsten Carbide insert



### P-107

How Plier (Straight)

- Useful for placement and removal of archwires, pins and other auxiliaries



### P-108

How Plier (Angled)

- Similar to the Straight How Plier Designed to access lingual and other hard to reach areas.

## Wire Bending Pliers



### P-109

Bird Beak Plier

- Versatile loop forming pliers for round wires



### P-110

Light Wire Plier

- Versatile loop forming pliers for round wires



### P-111

Tweed Loop Forming Plier

- Loop forming pliers with .045", .060" and .075" diameters for creating bull and helical loops in wires



### P-112

Tweed Arch Bending Plier

- Designed for placing first, second and third order bands and torquing and bending square or rectangular wires.

# Wire Bending Pliers



**P-113**

Kim's Plier

- Ideal for making consistent uniform loops



**P-114**

Three Jaw Plier

- Useful for contouring and bending wire



**P-116**

Young Plier

- Ideal for labial arches and canine loops.



**P-117**

Jarabak Plier

- Versatile light wire bending pliers Grooves assist with precise bending and closing.

# Wire Bending Pliers



**P-118**

Hollow Chop Plier

- Perfect for subtle contouring of arch wires



**P-119**

De La Rosa Plier

- Designed for lingual retainers and simply expand or constrict and archwires



**P-120**

Nance Loop Forming Plier

- For precise forming of loops with four step tips



**P-121**

Lingual Arch Plier

- Grooved to hold all larger wire sizes Ideal for double and triple back bends.

## Wire Bending Pliers



### P-122

Torquing Plier (Female part)

- Designed for accurate addition of torque to square/rectangular arch wires.



### P-123

Torquing Plier (Male part)

- Designed for accurate addition of torque to square/rectangular arch wires.



### P-132

Cinch Back Plier

- Designed to hold the wire securely while bending the wire 90° distal to the buccal tube.

## Removing Pliers



### P-125

Band Remover Plier

- The alignment of the tip and occlusal pad is well suited for posterior band removal.



### P-126

Band Remover Plier Tip



### P-127

Bracket Remover Plier (Straight)

- Designed for remove the steel, ceramic and plastic brackets of all types safely and comfortably



### P-128

Bracket Remover Plier (Angled)

- High angle design is effective for removal of all bracket styles from anterior and posterior teeth.

# Other Pliers



**P-134**

Crimpable Hook Plier

- Designed for surgical hooks and auxiliaries.



**P-135**

Separating Plier

- Designed for easy placement of separating elastics.



**P-136**

Mosquito (Straight)



**P-136-00**

Bracket Tweezer

- For bracket placement. Reverse-action provides for ease in loading and firm grip.



**P-137**

Mathieu Needle Holder

- Sturdy, rounded tips designed for twisting ligature wire.



**P-139**

O-Ring Plier (Hook Tip)

- Designed for placing elastomeric ligatures.



**P-140**

O-Ring Plier

- Designed for placing elastomeric ligatures.



**P-143-00**

Band Seater And Scalar

- A serrated tip for contouring and seating of bands. The other end is a scalar to aid in removing excess cement.



**P-146**

Band Pusher

- Accurate and secure placement while banding.



**P-143**

Bracket Height Gauge 018"

- For precise bracket positioning of .018 brackets

**P-144**

Bracket Height Gauge 022"

- For precise bracket positioning of .022 brackets



**P-144-00**

Ligature Tucker

- One straight end and one angled end for tucking ends of steel ligatures.



**P-150**

Tube Tweezer

- Specially suited for placing buccal tubes in the posterior area